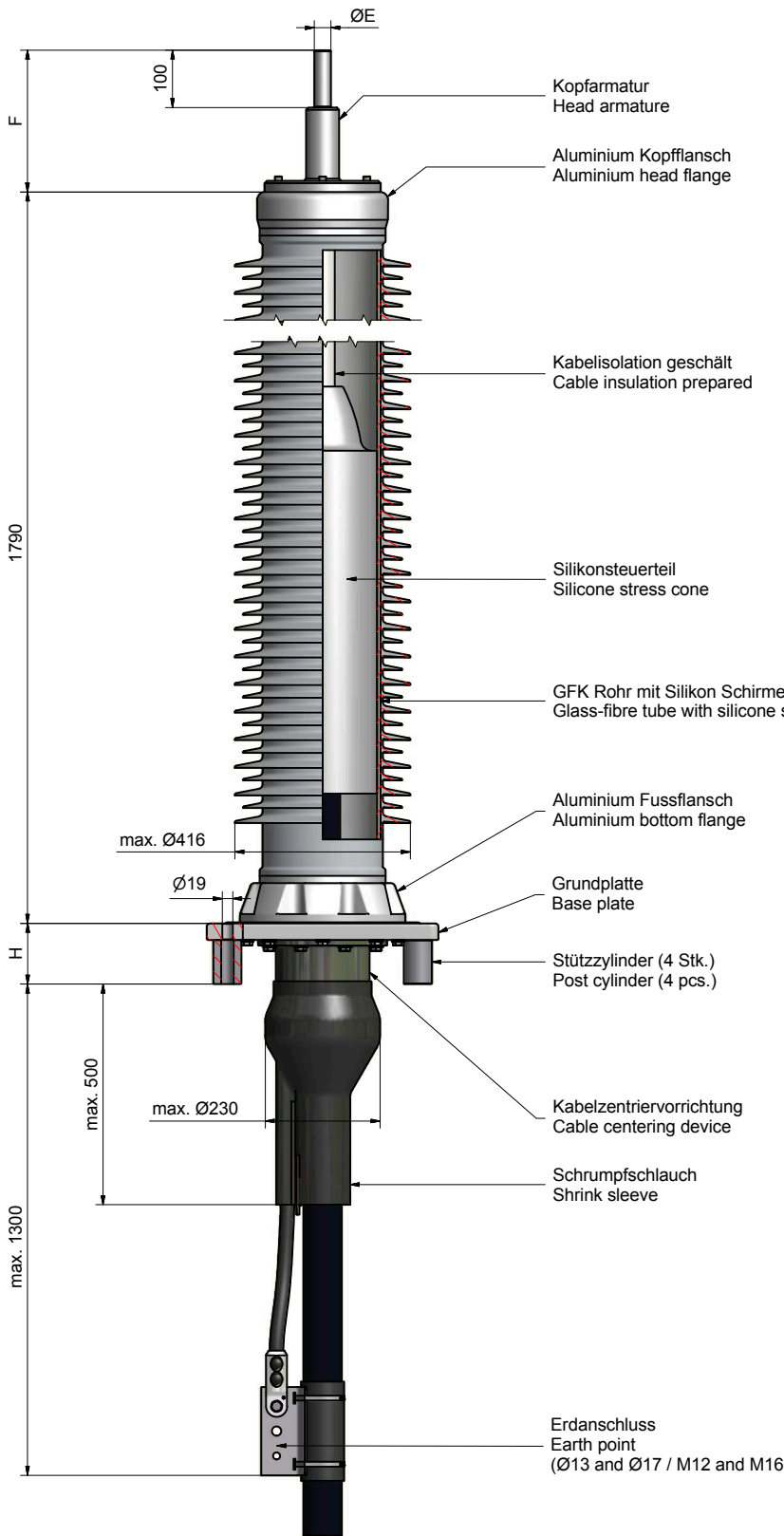


Weitergabe sowie Vervielfältigung dieses Dokuments, Verwertung und Mitteilung seines Inhalts ist verboten, soweit nicht ausdrücklich gestattet. Alle Rechte für den Fall der Patent-, Gebrauchsmuster- oder Geschmackschutzrechtsverletzung vorbehalten. © Pfisterer
 The reproduction, distribution and utilization of this document as well as the communication of its contents to others without explicit permission is prohibited, unless otherwise stated in writing. All rights reserved in the event of the patent, utility model or design. © Pfisterer

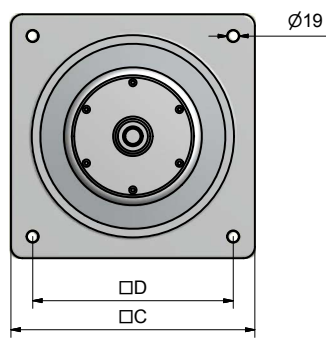


Höchste Spannung für Betriebsmittel (Um) Highest voltage for equipment (Um)	170 kV	
Kriechweg (min.) Creepage distance (min.)	5920 mm	
Verschmutzungsstufe Pollution class	IEC 60815 IEC 60815-3	34.8 mm/kV (IV) 60.3 mm/kV (e)
Farbe des Isolators Colour of insulator	grau grey	
Totalgewicht ohne Kabel (ca.) Total weight without cable (approx.)	105 kg	

Ø Kabelisolation geschält Ø Cable insulation prepared	51 - 101 mm	
Entspricht Leiterquerschnitt (ca.) Corresponding conductor cross-section (approx.)	150 - 2500 mm²	

Kopfarmatur Head armature		
Leiterquerschnitt Conductor cross section	ØE [mm]	F [mm]
≤ 500 mm²	30	200 - 400
> 500 mm² - < 1200 mm²	40	
≥ 1200 mm²	50	

Grundplatte Base plate	Kabelisolation Cable insulation [mm]	C / D [mm]	H [mm]
Standard	51.0 - 101.0	500 / 400	112
auf Anfrage on request		420 / 345	



		Zeichnung nicht masstäblich / drawing not to scale	
		Änderungen vorbehalten / subject to change	
Erstellt von created by	Umasankar	Datum / date	2020-12-21
Geprüft von approved by	wenk	Datum / date	2021-02-08
Beschreibung / title		DOC170-C58 Trockener Freiluft Silikon Endverschluss	
Ersatz für / replacement for		DOC170-C58 Dry Outdoor Composite Termination	
Pfisterer		Dokumentart / type of document	Für Kunden
Ändr. / rev. no.	And datum / date of issue	Name / name	Index / rev
	2020-12-21	Umasankar	01
PFISTERER Switzerland AG		Dokumentnr. / document no.	S04-157861
		Format / size	A0
		Blatt / sh.	1/1
		880111777A003	

Technical data of DOC170-C58

HV dry outdoor composite termination

Manufacturer		PFISTERER
Catalog name	HV-Cable termination DOC	
Voltage range	up to 170 kV	
Type designation	dry outdoor composite termination	
Variant	according to cable data	
Applied standard	IEC 60840	

Electrical levels (IEC 60840)	
Rated voltage (U)	150 – 161 kV
Highest voltage (U _m)	170 kV
(U ₀) for determination of test voltage	87 kV
Max. design voltage to ground	98 kV

Electrical type test levels (IEC 60840)	
AC withstand voltage 15 min	218 kV
Lightning impulse voltage test (BIL)	750 kV
Heating cycles (AC voltage, 2 U ₀)	174 kV
Partial discharge test < 5 pc at 1.5 U ₀	131 kV

Electrical routine test levels (IEC 60840)	
AC withstand voltage 30 min	218 kV
Partial discharge test < 5 pc at 1.5 U ₀	131 kV
Each stress cone routine tested	yes
Pre-assembled with termination housing	yes

Current of conductor	
Max. current rating	same as cable
Max. thermal short circuit current (1 s)	63 kA
	max. same as cable

Cantilever load on vertical installation	
Mechanical connector	4 kN

Operation conditions	
Ambient temperature	- 30 / + 55 °C
Max inclination	30°

Stress control	
Field control method	geometrical
Type	pre-moulded
Material	silicone rubber
Production method	injection moulding
Production environment	clean room
Stress cone pre-assembled in termination housing	yes

Termination housing	
Filling compound	none
Overall length excl. head armature	1790 mm
Tube diameter with sheds (max.)	416 mm
Housing material	fibre glass
Sheds material	silicone rubber
Pollution class IEC 60815	34.8 mm/kV
Pollution class IEC 60815-3	60.3 mm/kV
Creepage distance (min.)	5920 mm
Flash over distance (min.)	1650 mm

Head armature	
Connector standard	bolted (SICON)
Material	aluminium blank
Conductor size	150 – 2500 mm ²
compression armature	On request

Cable type	
Type	XLPE
Screen type	wire, lead sheath
	corrugated Al & Cu
Diameter over prepared insulation	51 – 101 mm
Range of overall cable diameter	50 – 150 mm

Base plate	
Material	aluminium
Fixing holes distance	see dimension D on drawing

Post cylinder	
Included in scope of supply	4 pcs
Material	steel (hot-galvanized)

Earthing	
Type of cable screen to be used	all types
Earth point	50 – 630 mm ²
Earthing cable	supplied by customer

Installation	
Installation work	only by certified fitters
Installation temperatur	min. 0 / max. + 55 °C
Site conditions	clean environment
Installation instruction for each kit	yes

Packing	
Treated wooden box (seaworthy/airworthy)	ISPM15
Gross weight 3 pcs (approx.)	700 kg
Pack volume 3 pcs (approx.)	4.2 m ³

Storage	
Conditions	clean and dry
Long-term storage temperature	min. 0 / max. + 25 °C
Shelf life items	2 years
Non-shelf life items	10 years
Expected service life after installation	40 years

