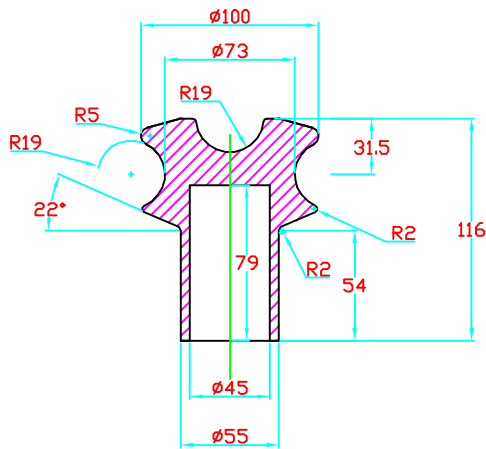
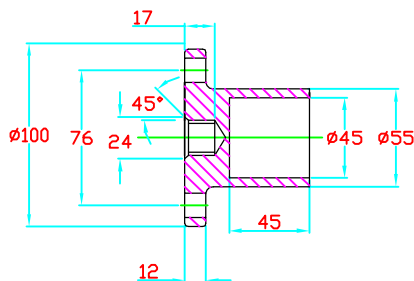


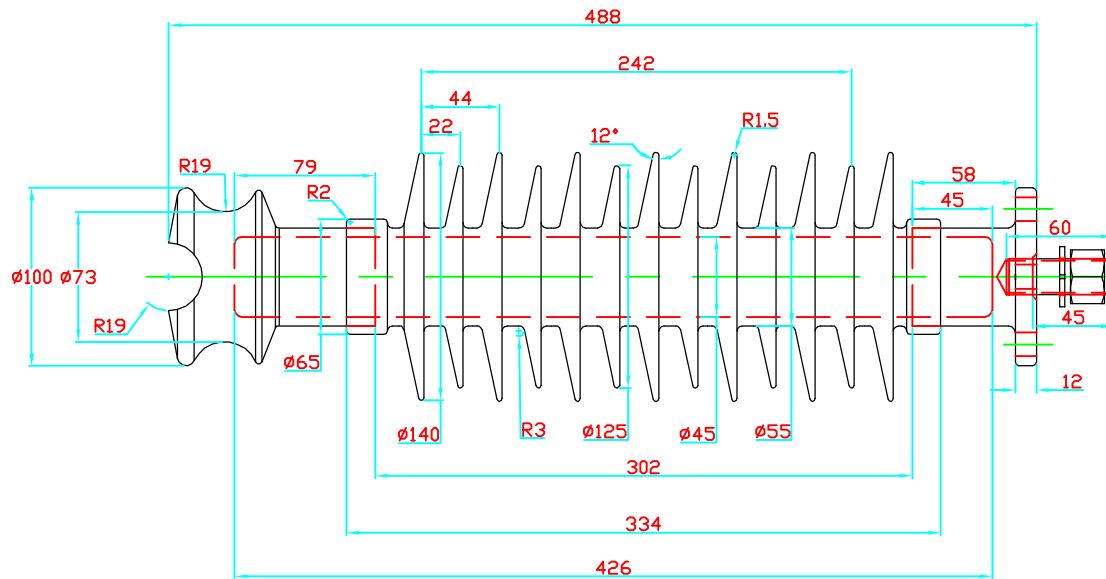
Markings on the top bottom shed



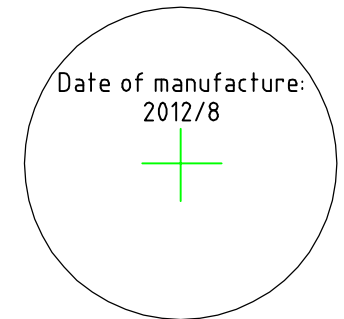
Aluminium forged and tumbled bright finish Pin Head



Galvanised Steel End-fitting.



M20x60 STAINLESS STEEL STUD
TYPE A2 AISI 304 PITCH=2.5mm (DIN 975)



Marking on the bottom casting

ELECTRICAL DATA

CREEPAGE :	1226 mm (EN 50151)
TAUGHT STRING :	334 mm
IMPLUSE FLASHOVER DRY kVp :	250
IMPLUSE WITHSTAND DRY kVp :	235
AC 1MIN FLASHOVER DRY kVp :	150
AC 1MIN WITHSTAND DRY kVp :	140
AC 1MIN FLASHOVER WET kVp :	120
AC 1MIN WITHSTAND WET kVp :	110

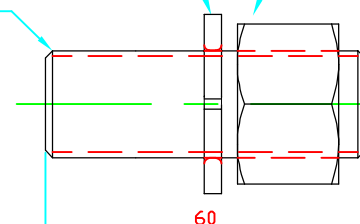
MECHANICAL DATA

CANTILEVER DEFLECTION AT 10 kN:	50mm
CANTILEVER DEFLECTION AT 15 kN:	60mm
MIN TENSILE FAILING LOAD:	40kN
MIN FAILING TORQUE:	200 Nm
MIN FAILING CANTILEVER LOAD ON CLAMP:	30kN
MIN BENDING FAILING LOAD:	12.5kN
SILICONE RUBBER TYPE:	HTV

M20 STAINLESS STEEL SPRING WASHER (DIN 125)

M20 STAINLESS STEEL HEX NUT PITCH=2.5mm (DIN 934)

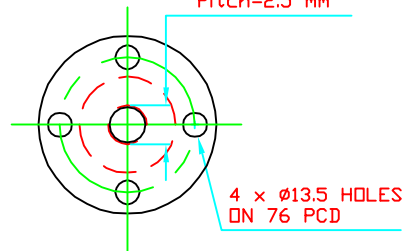
M20x60 STAINLESS STEEL STUD TYPE A2 AISI 304 PITCH=2.5mm (DIN 975)



Stainless Steel Stud

SCALE 3:1

M20 x 15 Thread Pitch=2.5 mm



1								
Pcs.	Pos.no	Name, type, dimension	Material	Article no.	Format			
01								
Variant	General tolerance:	Welding requirements:	Surface-treatment:	Scale:				
	-	-	-	-				
Post Insulator With forged aluminium pin head 25kV				Replacement for:		Replaced by:		
						01EBU05108-V9		