

Medium Voltage Jumpers for Wind Application

Contact

Nexans Power Acc. Germany GmbH
Phone: +49 (0)9281 8306-0
kundenzentrum.hof@nexans.com

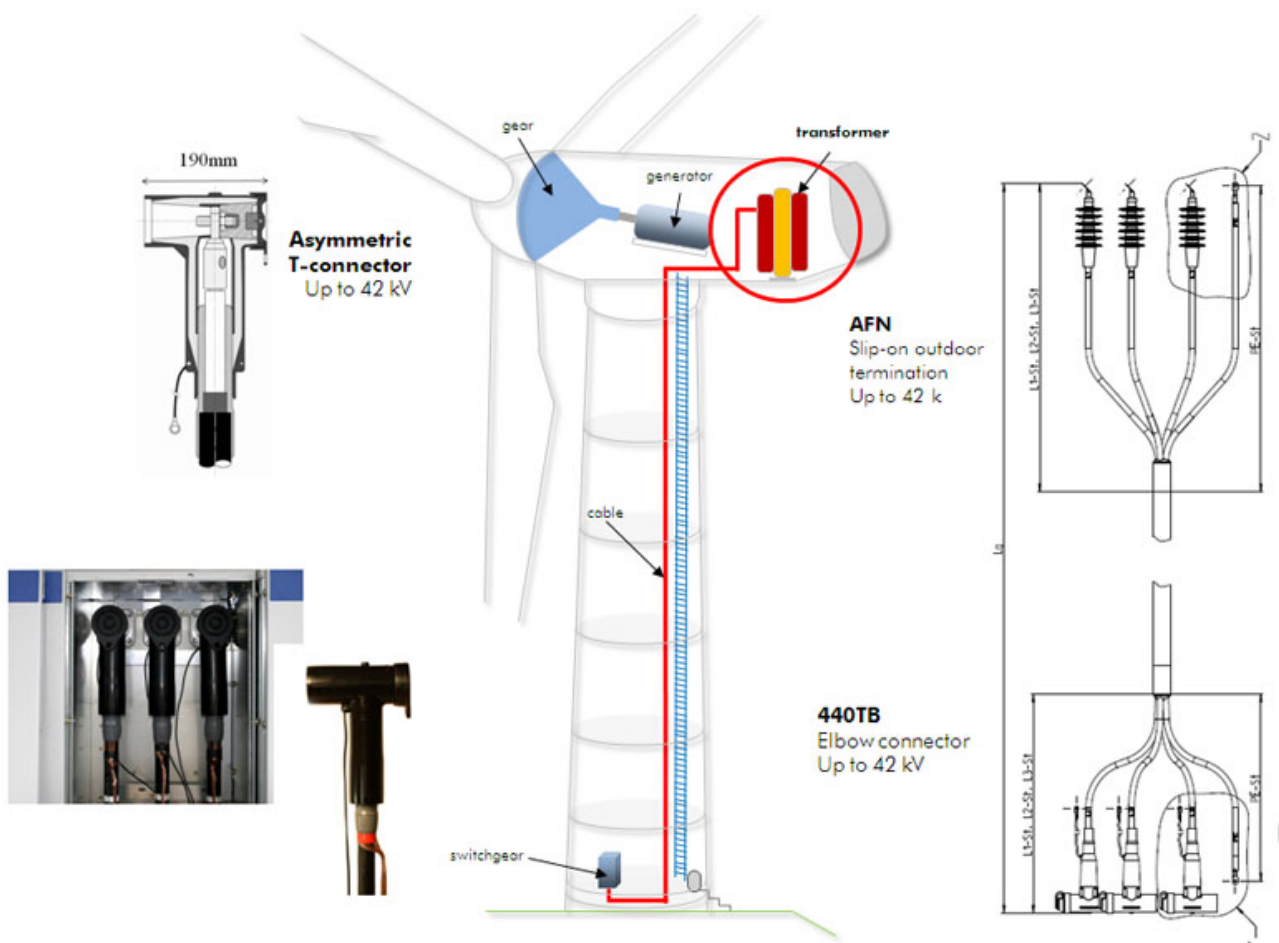
DESCRIPTION

- Pre-installed MV Windlink cable Jumper MV Nacelle connection for windturbine applications
- Pre-installed windlink cable jumper sets. Installed with Euromold accessories, connector and /or termination up to 42kV.
- Voltage and partial discharge test in accordance with IEC 60502 – 2 individual documented.

STANDARDS

National Customer specification

PRE-ASSEMBLED MV TRANSFORMER AND SWITCHGEAR CONNECTION WITH EUROMOLD-PRODUCTS



1.NACELLE CONNECTION

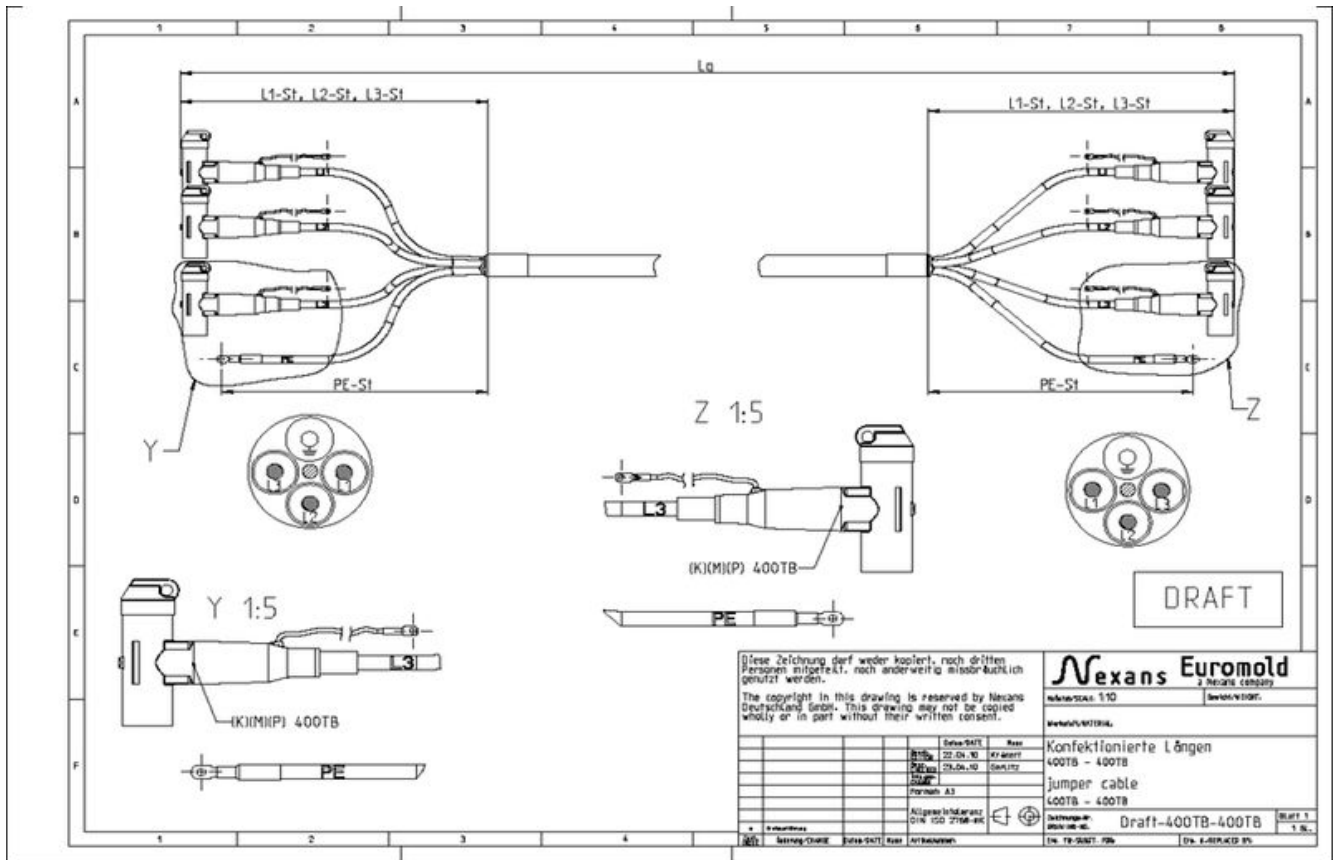
With connector and termination up to 42kV

All drawings, designs, specifications, plans and particulars of weights, size and dimensions contained in the technical or commercial documentation of Nexans is indicative only and shall not be binding on Nexans or be treated as constituting a representation on the part of Nexans.

Medium Voltage Jumpers for Wind Application

Contact

Nexans Power Acc. Germany GmbH
 Phone: +49 (0)9281 8306-0
 kundenzentrum.hof@nexans.com

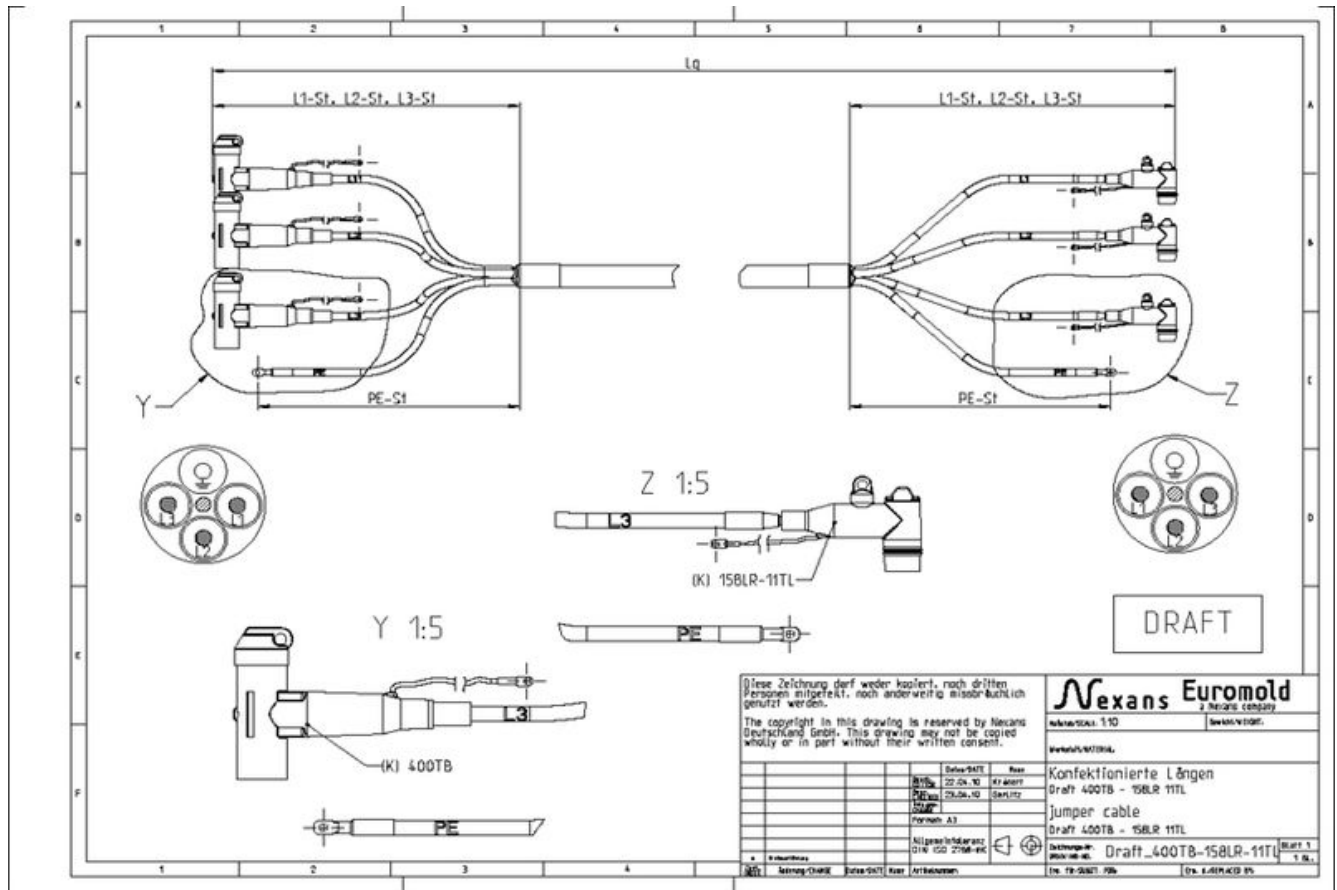


With connector 24kV

Medium Voltage Jumpers for Wind Application

Contact

Nexans Power Acc. Germany GmbH
 Phone: +49 (0)9281 8306-0
 kundenzentrum.hof@nexans.com



2.ACCESSORIES

Terminations AFN up to 41,5 kV

Application

- A termination for use outdoors and exposed to prolonged sunshine and other weather conditions
- Provides a simple and quick method of stress relieving on screened polymeric cables

Design

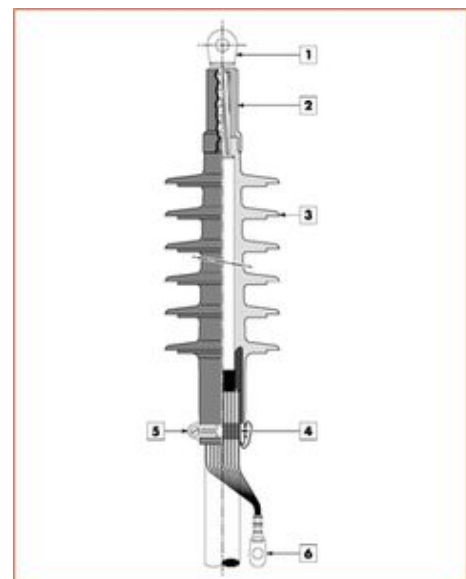
1. An Al or Cu cable lug
2. A watersealing silicone sleeve
3. A silicone housing with sheds and integrated conductive silicone rubber insert providing stress relief for the cable
4. Watersealing mastic
5. An earthing clamp
6. An earthing lug

Specifications and standards

Meets the requirements of CENELEC HD 628 S1 & HD 629.1 S1 and IEC 60502-4

Technical characteristics

The slip-on termination has an electrical performance at least equal to the cable

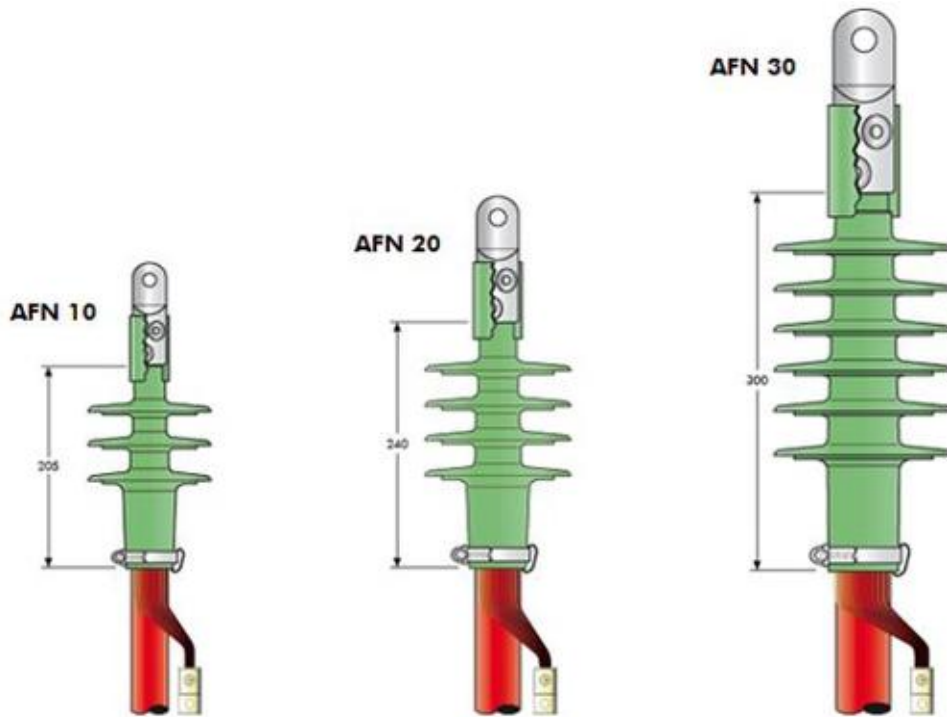


All drawings, designs, specifications, plans and particulars of weights, size and dimensions contained in the technical or commercial documentation of Nexans is indicative only and shall not be binding on Nexans or be treated as constituting a representation on the part of Nexans.

Medium Voltage Jumpers for Wind Application

Contact

Nexans Power Acc. Germany GmbH
Phone: +49 (0)9281 8306-0
kundenzentrum.hof@nexans.com



Interface C Connector Series 400TB

Touch proofed tee connectors P440 TB

Medium Voltage Jumpers for Wind Application

Contact

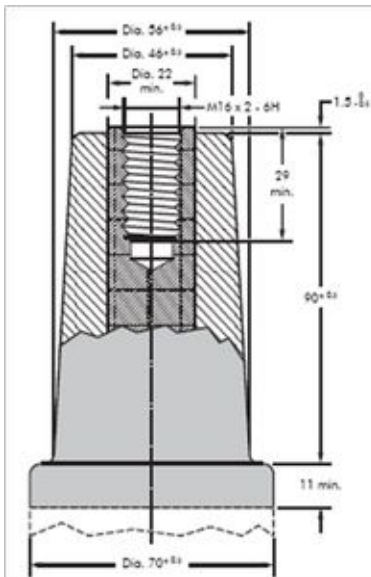
Nexans Power Acc. Germany GmbH
 Phone: +49 (0)9281 8306-0
 kundenzentrum.hof@nexans.com

Special selected for the customized application

- indoor/outdoor application
- voltage rate up to 41,5 kV
- cable cross section

Interface C

Dimensions according to European CENELEC EN 50180 and 50181 (in mm)



Design

Separable connector comprising

1. Conductive EPDM insert
2. Conductive EPDM jacket
3. Insulating EPDM layer moulded between the insert and the jacket
4. Type C- 630 A interface as described by CENELEC EN 50180 and 50181.
5. Conductor connector
6. Basic insulating plug (with VD joint
7. Cable reducer
8. Conductive rubber cop.
9. Clamping screw.
10. Earthing lead

The screen break design enables cable outer sheath testing without removing or dismantling the connector

Specifications and standards

The separable connector 440TB meets requirements of CENELEC HD 629.1

