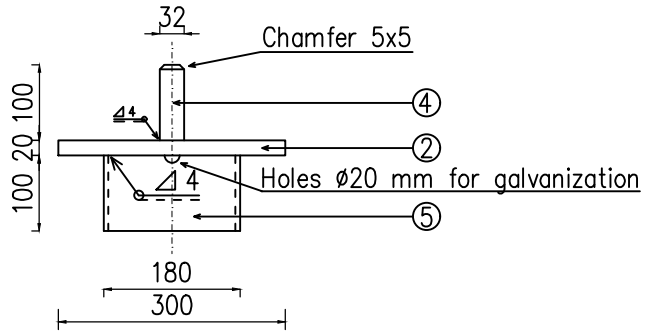
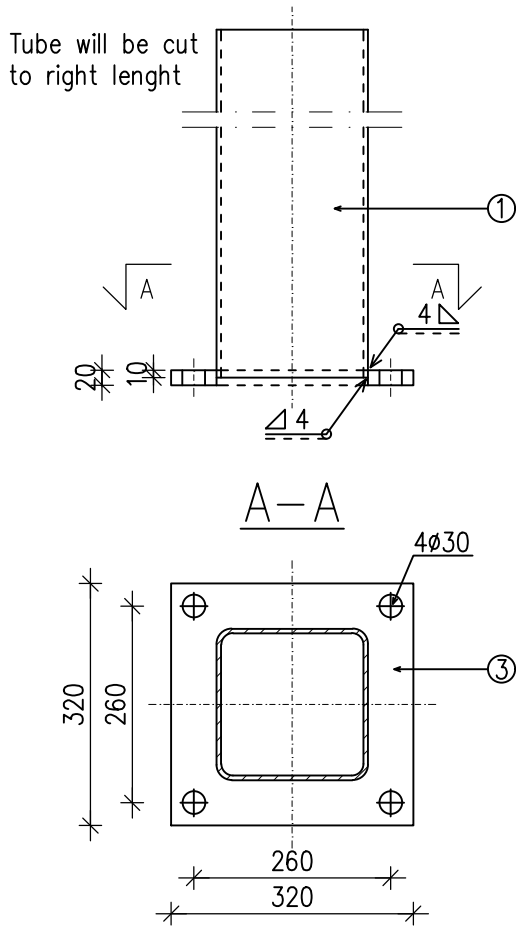



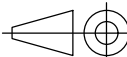
BOTTOM PART

TOP PART



WELDINGS WC / SFS-EN ISO 5817
HOT DIP GALVANIZING SFS-EN ISO 1461, CLASS B

PART	NAME	SIZE	MATERIAL	STANDARD	MASS	PCS
1	RHS 200x200x6.0	L=970 mm	S355J2H	EN 10219		1
2	PL20	300X300	S355J2	EN 10025-2		1
3	PL20	320X320	S355J2	EN 10025-2		1
4	BAR D32	L=100 mm	S355J2	EN 10025-2		1
5	RHS 180x180x6.0	L=100 mm	S355J2H	EN 10219		1
TOTAL						

Designed	Drawn	Inspected	Appr.	Scale 1:10	Replaces	Sheet 1/(1)
			Rock foundation variable		Section	Date
						8.1.2016
					Drawing number - revision NE-F-1002	