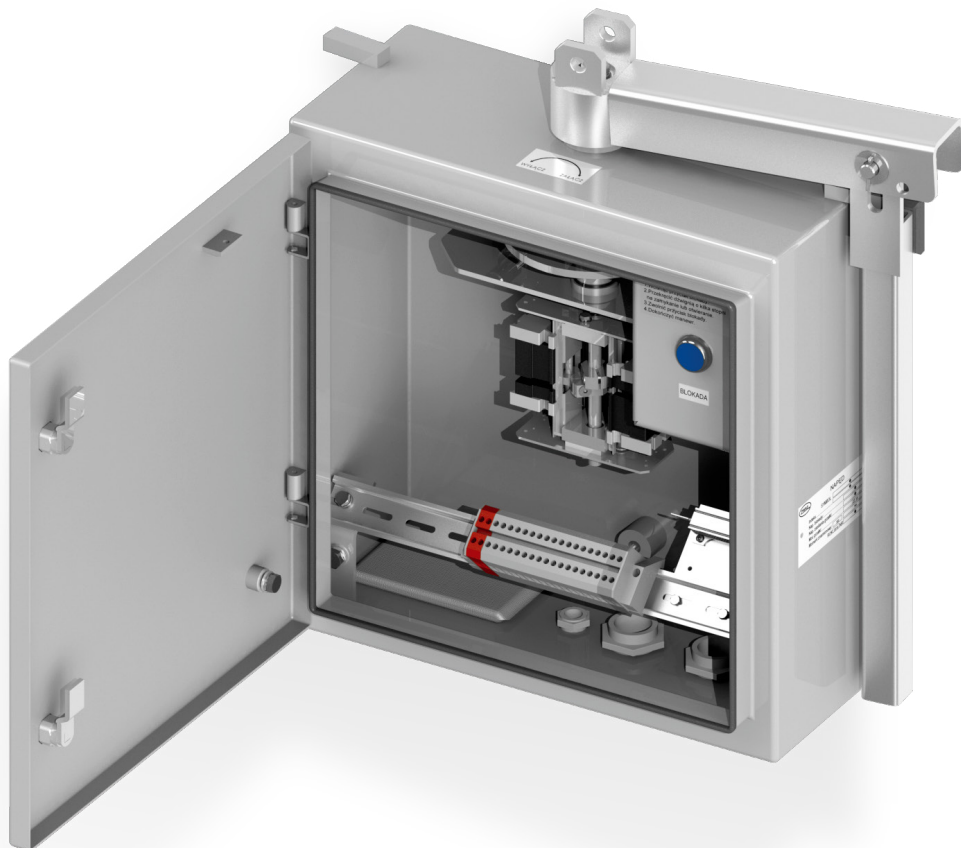


NR-5

Manual operating mechanism



CHARACTERISTICS

- Excellent anti-corrosion protection of the housing box
- Small power to maneuver required
- Short time of maneuvering
- Possibility of using padlock as the mechanical blockade in limit positions
- Simple replacement manual operating mechanism to motor operating mechanism without any additional changes in the construction

SPECIFICATION

Item	Parameter	Value
1.	Rated torque	300 [Nm]
2.	Rated voltage: - electromagnetic lock	230 [VAC] 220 [VDC] 110 [VDC]
	- heater	230 [VAC] 220 [VDC] 110 [VDC]
3.	Rated power: - electromagnet coil - DC / AC start - electromagnet coil - DC / AC operation - heater	220 [W] / 700 [W] 1,5 [W] / 1,5 [W] 25 [W]
4.	Main shaft angular displacement	192 [°]
5.	Rated switching capability of control switch	AC-15; 230 [V]; 2,5 [A] DC-13; 220 [V]; 0,25 [A]
6.	Maximum conductor cross section	4 [mm ²]
7.	Enclosure protection rating	IP 55
8.	Rated mechanical strength	2000 cycles

DIAGRAMS

