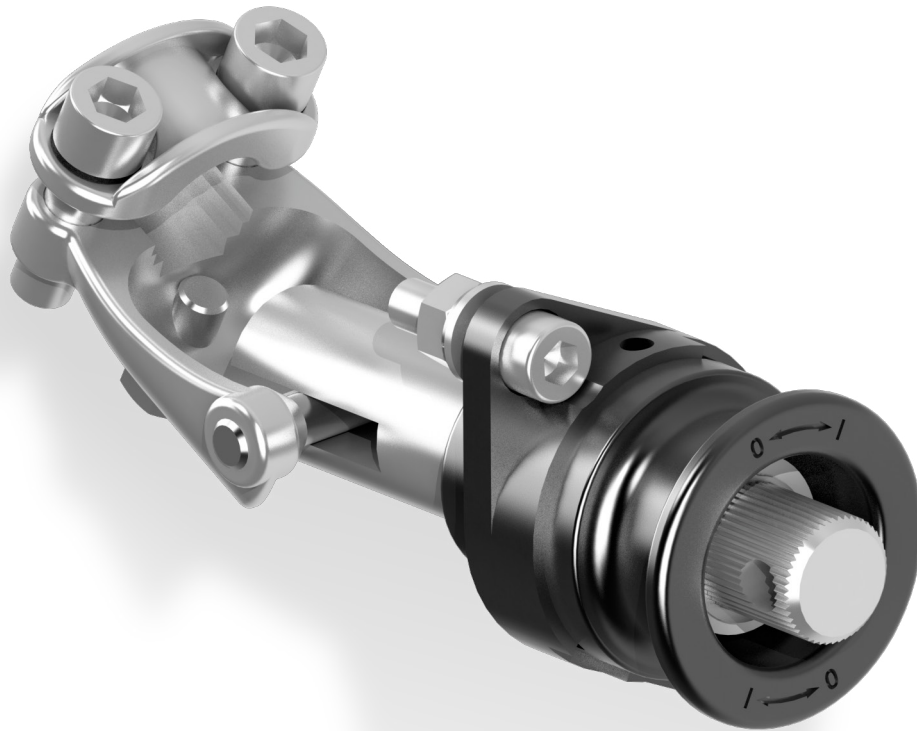


# NR-1

## Manual operating mechanism



### CHARACTERISTICS

- Simple operation
- Compatibility as a replacement for manual operating mechanism NSW30
- Application of mechanical locking between operating mechanisms of (switch) disconnecter/earthing switch
- Possibility to equip with electromagnetic interlock or padlock blocking apparatus in limit positions
- Small dimensions

