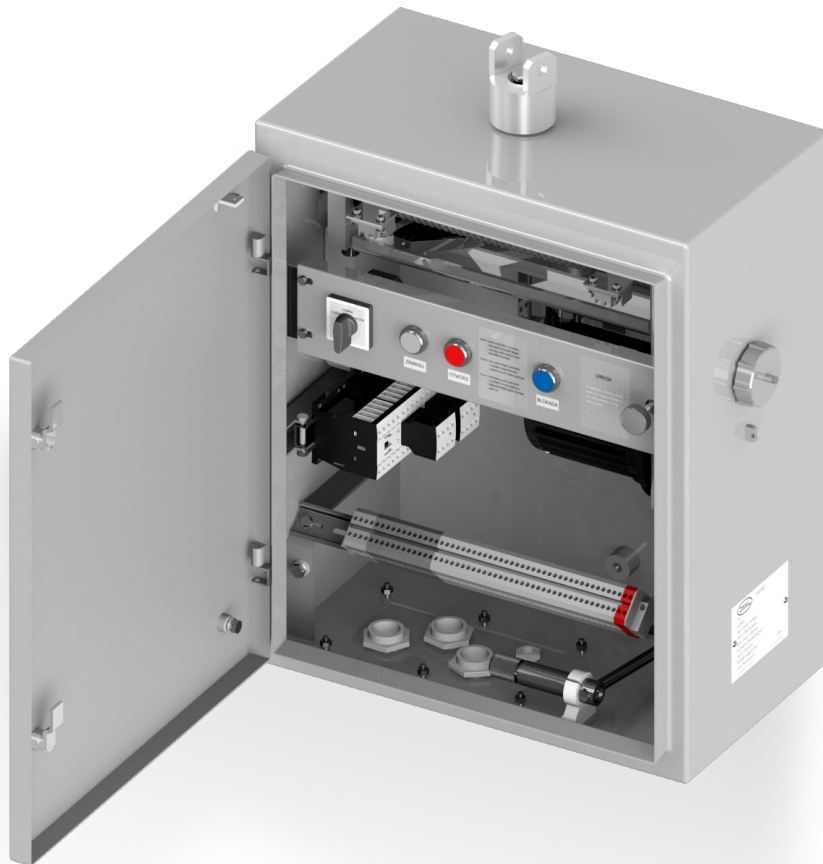


NS080

Motor operating mechanism

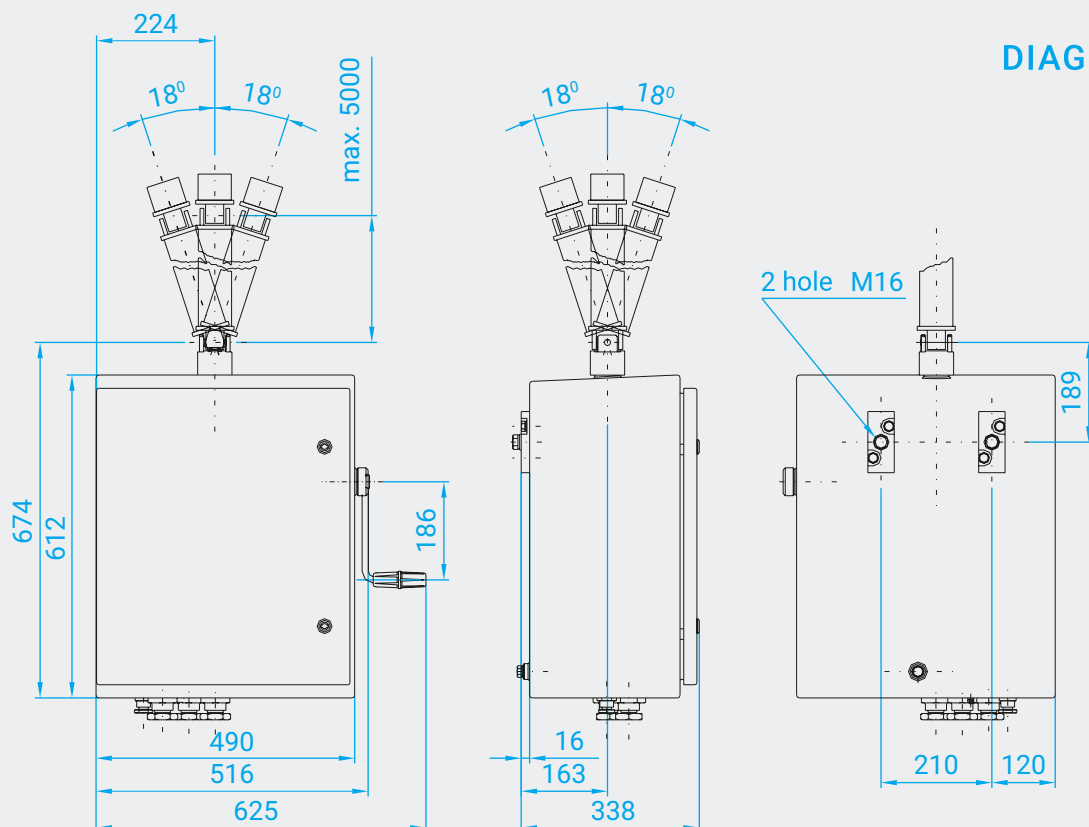


CHARACTERISTICS

- Excellent anti-corrosion protection of the housing box
- Variants 3-phase, AC or DC available
- Parabolic characteristic of the torque available in the limit positions required during closing/opening of the apparatus
- Possibility to adapt mechanism for other producers' disconnectors

SPECIFICATION

Item	Parameter	Value
1.	Rated voltage / rated current - squirrel cage motor - series motor	3x400 [VAC] / 4,5 [A] 220 [VDC] / 4 [A] 110 [VDC] / 10 [A]
	- contactor coil of motor supply voltage control (depending on motor rated voltage)	400 [VAC] 220 [VDC] 110 [VDC]
	- contactor coil	220 [VDC] 230 [VAC] 110 [VDC] 110 [VAC]
	- heater	230 [VAC] 220 [VDC] 110 [VDC]
	- electromagnetic lock	220 [VDC] 110 [VDC]
2.	Rated power: - squirrel cage motor - series motor - contactor coil - heater - electromagnetic lock coil	750 [W] 500 [W] 7 [W] 25 [W] 7 [W]
3.	Shaft torque: - rated - maximum	300/500/1000 [Nm] 500/800/1600 [Nm]
4.	HV switching time	7/11/16 [s]
5.	Crank handle speed	ca. 100
6.	Main shaft angular displacement	90/125/192 [°]
7.	Rated switching capability of control switch	AC-15; 230 [V]; 2,5 [A] DC-13; 220 [V]; 0,25 [A]
8.	Maximum conductor cross section	4 [mm ²]
9.	Enclosure protection rating	IP 55
10.	Rated mechanical strength	2000 cycles



DIAGRAMS