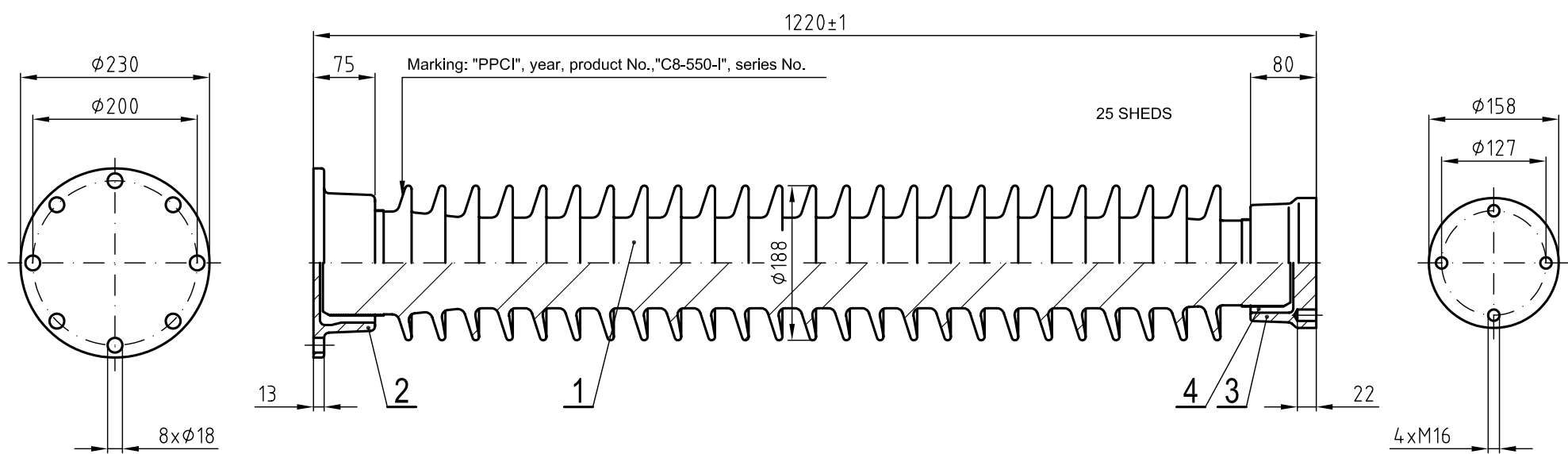
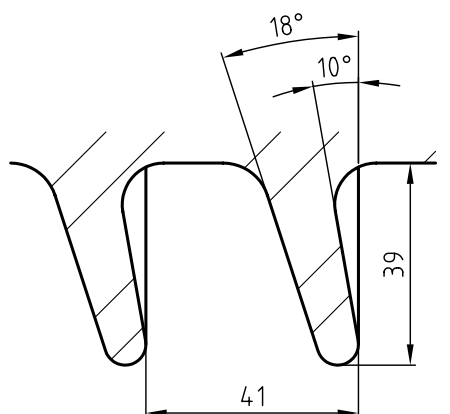



This document must not be copied without our written permission, and the contents thereof must not be imparted to a third party nor be used for any unauthorized purpose. Contravention will be prosecuted.



**SHED DESIGN**



STANDARDS - IEC 60273, 60168, 60672, 60815  
 LIGHTNING IMPULSE WITHSTAND VOLTAGE 550 kV  
 POWER-FREQUENCY WITHSTAND VOLTAGE, WET 230 kV  
 CREEPAGE DISTANCE 2670 mm  
 MINIMUM FAILING LOAD - BENDING (UNDERHUNG) 8 kN  
 - TORSION 4 kNm  
 MAX. ANGULAR DEVIATION OF FIXING HOLES 1 °  
 FIXING DEVICE MATERIAL: MALLEABLE CAST IRON,  
 HOT DIP GALVANIZED  
 TESTING ACC. TO IEC 60168,  
 MECHANICAL ROUTINE TEST BENDING 4x50%  
 APPROXIMATE WEIGHT 56 kg

4	TMEL			PORTLAND CEMENT	1.0	
1	3	ČIAPKA	K-127-222-111		3.8	
1	2	PRÍRUBA	F-200-011-111		5.1	
1	1	PORCELÁN	5796 0 P	C-130 IEC 60672	46	
pcs	Pos.	Title	Drawing, standard	Dimension	Material	Weight
Scale (%)	Drawn	Checked	Dat.	Ref.		
	ĐURÁK	JANEČEK	16.02.2018			
OUTDOOR POST INSULATOR C8 - 550 - I INV					 <b>5796 0 M</b>   <b>01</b> Drwg.no.   Rev.	