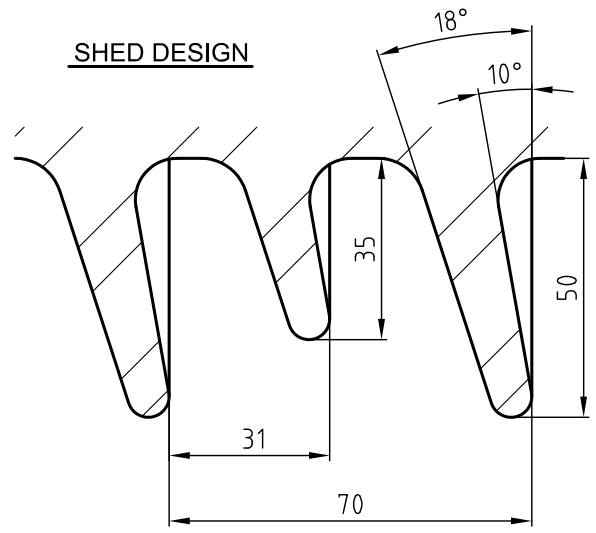
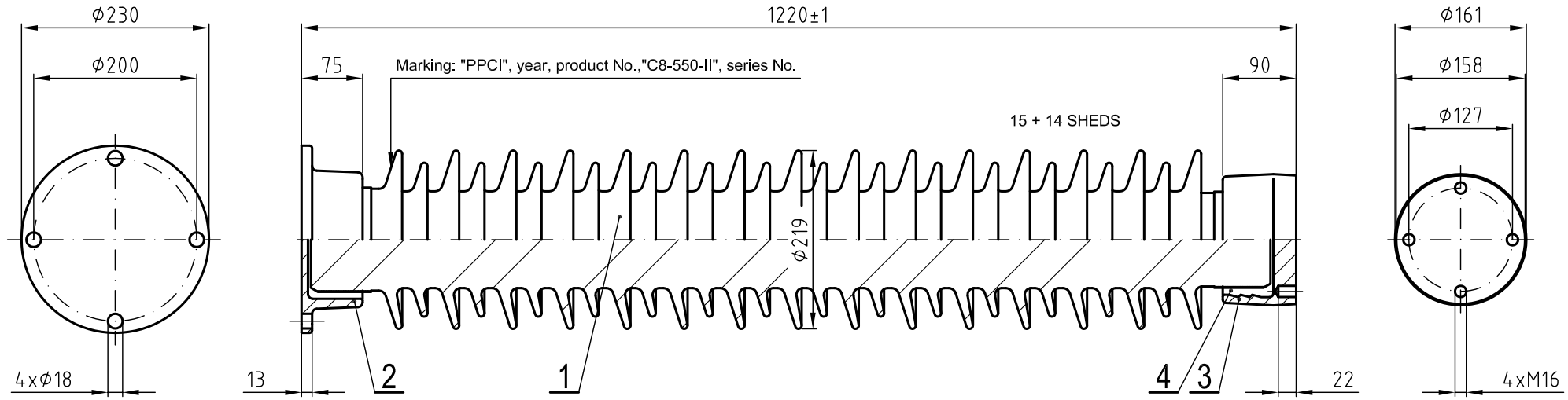



This document must not be copied without our written permission, and the contents thereof must not be imparted to a third party nor be used for any unauthorized purpose. Contravention will be prosecuted.



STANDARDS - IEC 60273, 60168, 60672, 60815
 LIGHTNING IMPULSE WITHSTAND VOLTAGE 550 kV
 POWER-FREQUENCY WITHSTAND VOLTAGE, WET 230 kV
 CREEPAGE DISTANCE 3140 mm
 MINIMUM FAILING LOAD - BENDING (UNDERHUNG) 8 kN
 - TORSION 4 kNm
 MAX. ANGULAR DEVIATION OF FIXING HOLES 1 °
 FIXING DEVICE MATERIAL: MALLEABLE CAST IRON,
 HOT DIP GALVANIZED
 TESTING ACC. TO IEC 60168,
 MECHANICAL ROUTINE TEST BENDING 4x50%
 APPROXIMATE WEIGHT 67 kg

4	CEMENTING			PORTLAND CEMENT	1.1
1	3	CAP	K-127-122-111		4.2
1	2	FLANGE	F-200-010-111		5.1
1	1	PORCELAIN	5835 0 P	C-130 IEC 60672	56.5
pcs	Pos.	Title	Drawing, standard	Dimension	Material
Scale (%)	Drawn	Checked	Date	Ref.	
	JANEČEK	DURÁK	12.10.2017		
OUTDOOR POST INSULATOR C8 - 550 - II - INV					 PPC INSULATORS 5835 0 M 01 Drwg.no. Rev.