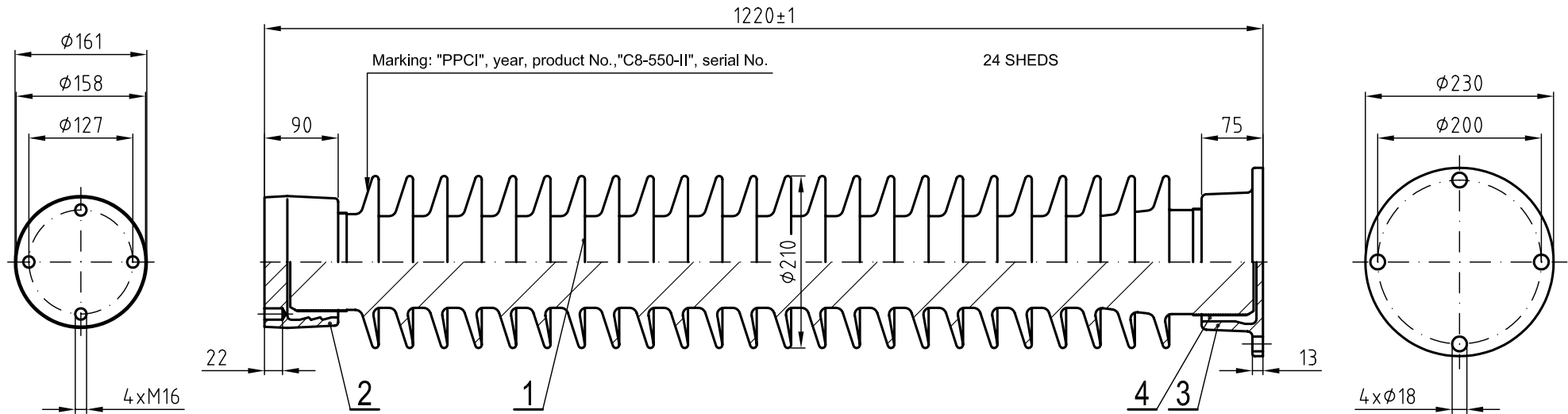
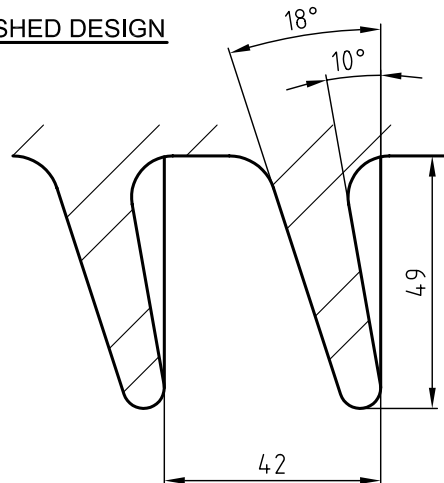



This document must not be copied without our written permission, and the contents thereof must not be imparted to a third party nor be used for any unauthorized purpose. Contravention will be prosecuted.



SHED DESIGN



STANDARDS - IEC 60273, 60168, 60672, 60815
 LIGHTNING IMPULSE WITHSTAND VOLTAGE 550 kV
 POWER-FREQUENCY WITHSTAND VOLTAGE, WET 230 kV
 CREEPAGE DISTANCE - NOMINAL 3040 mm
 - MINIMUM 2920 mm
 MINIMUM FAILING LOAD - BENDING 8 kN
 - COMPRESSION 590 kN
 - TENSION 90 kN
 - TORSION 4 kNm
 MAX. ANGULAR DEVIATION OF FIXING HOLES 1°
 FIXING DEVICE MATERIAL: CAST IRON,
 HOT DIP GALVANIZED
 TESTING ACC. TO IEC 60168, 60273
 MECHANICAL ROUTINE TEST BENDING 4x50%
 APPROXIMATE WEIGHT 59.5 kg

4	CEMENTING			PORTLAND CEMENT	1.1	
1	3	FLANGE	F-200-010-111		5.1	
1	2	CAP	K-127-122-111		4.2	
1	1	PORCELAIN		C-130 IEC 60672	49	
pcs	Pos.	Title	Drawing, standard	Dimension	Material	Weight
Scale (%)	Drawn	Checked	Date	Ref.		
	LACA	ĐURÁK	21.02.2014	DK5 101 408-004		
OUTDOOR POST INSULATOR C8 - 550 - II					 PPC INSULATORS K100129 0 M Drwg.no. Rev.	