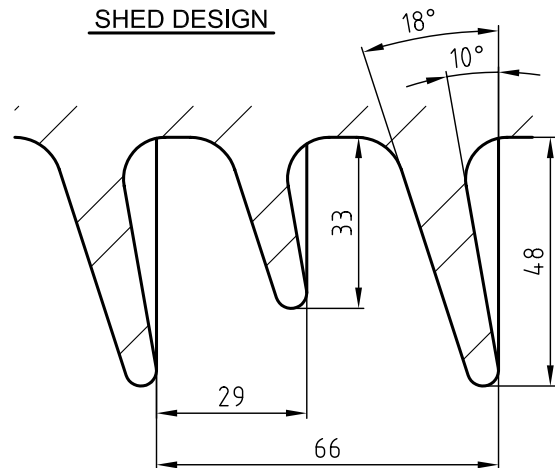
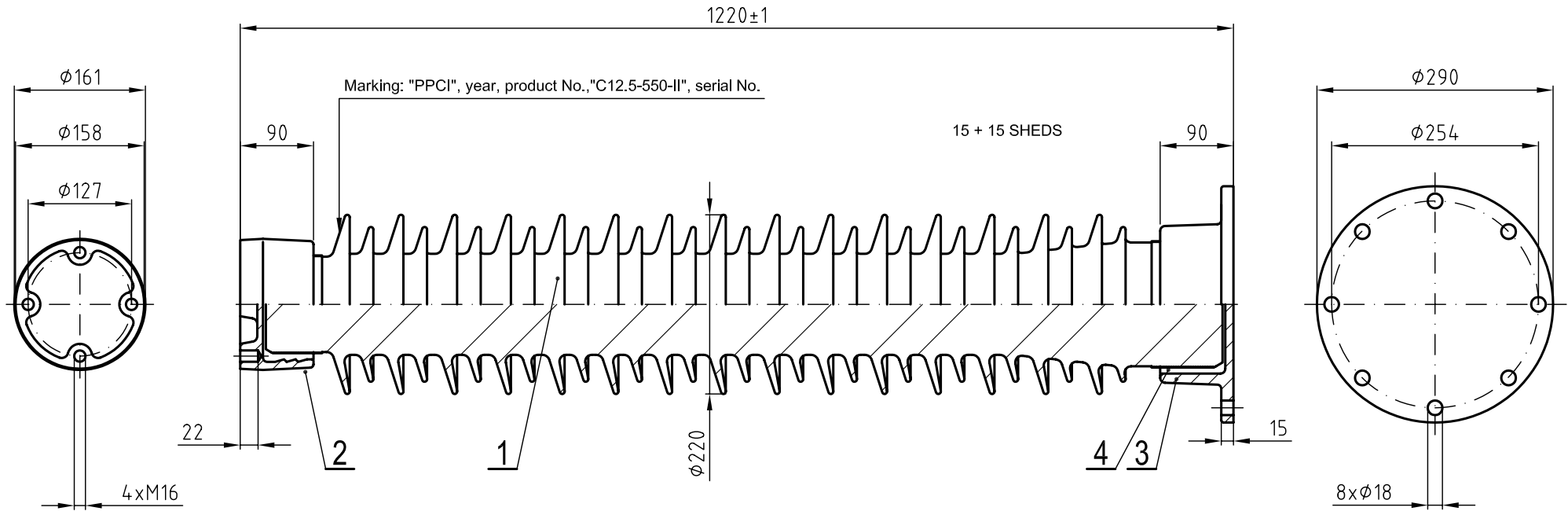



This document must not be copied without our written permission, and the contents thereof must not be imparted to a third party nor be used for any unauthorized purpose. Contravention will be prosecuted.



STANDARDS - IEC 60273, 60168, 60672, 60815  
 LIGHTNING IMPULSE WITHSTAND VOLTAGE 550 kV  
 POWER-FREQUENCY WITHSTAND VOLTAGE, WET 230 kV  
 CREEPAGE DISTANCE 3020 mm  
 MINIMUM FAILING LOAD - BENDING 12.5 kN  
 - TORSION 6 kNm  
 MAX. ANGULAR DEVIATION OF FIXING HOLES  $1^\circ$   
 FIXING DEVICE MATERIAL: CAST IRON,  
 HOT DIP GALVANIZED  
 TESTING ACC. TO IEC 60168  
 MECHANICAL ROUTINE TEST BENDING 4x50%  
 APPROXIMATE WEIGHT 74 kg

4	CEMENTING			PORTLAND CEMENT	1.3
1	3	FLANGE	F-254-111-111		10.0
1	2	CAP	K-127-122-111		4.2
1	1	PORCELAIN		C-130 IEC 60672	58.5
pcs	Pos.	Title	Drawing, standard	Dimension	Material
Scale (%)	Drawn	Checked	Date	Ref.	
	ĐURÁK	JANEČEK	02.05.2017		
OUTDOOR POST INSULATOR					 <b>PPC INSULATORS</b>
C12.5 - 550 - II					
					K170235 0 M
					Drwg.no.      Rev.