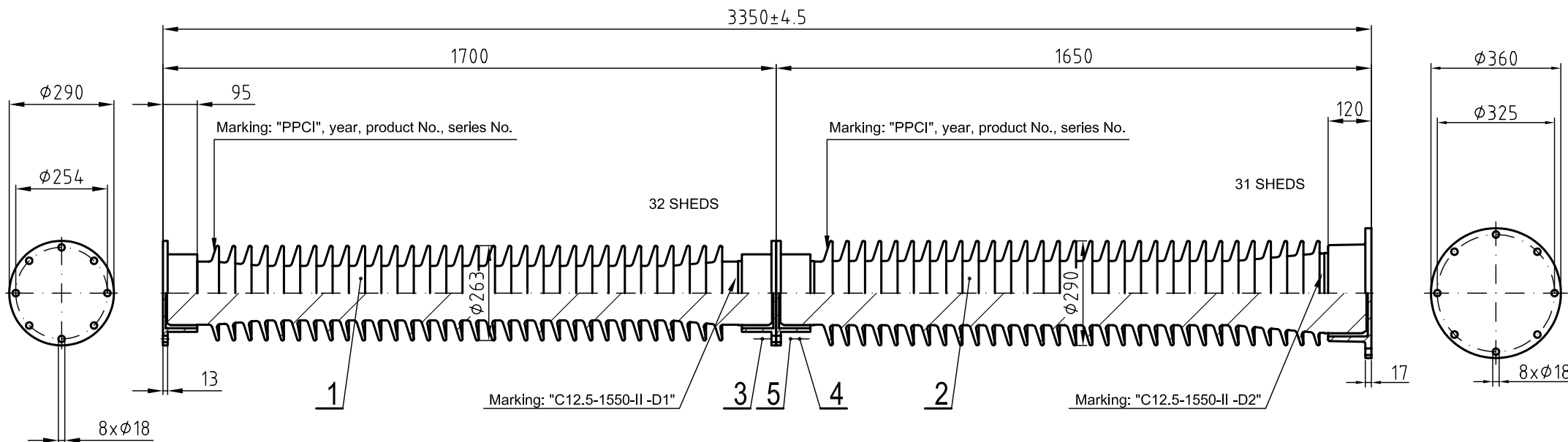


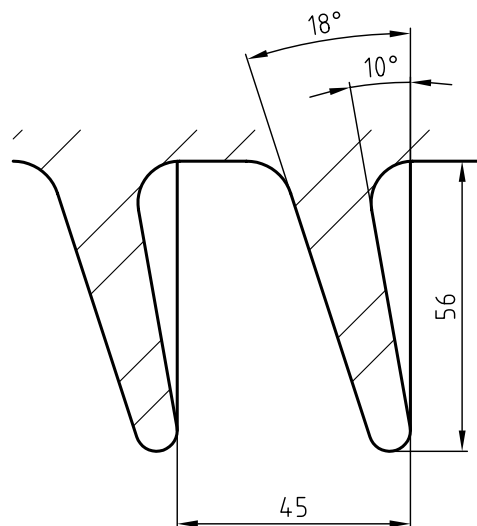
F-254-021-111

F-254-021-111


F-325-010-112



SHED DESIGN



STANDARDS - IEC 60273, 60168, 60672, 60815
 LIGHTNING IMPULSE WITHSTAND VOLTAGE 1550 kV
 SWITCHING IMPULSE WITHSTAND VOLTAGE, WET 1050 kV
 CREEPAGE DISTANCE 8860 mm
 MINIMUM FAILING LOAD - BENDING 12.5 kN
 - TORSION 6 kNm
 MAX. ANGULAR DEVIATION OF FIXING HOLES 1°
 MATERIAL: PORCELAIN C-130 ACC. TO IEC 60672-3
 FIXING DEVICE MATERIAL: MALLEABLE CAST IRON,
 HOT DIP GALVANIZED
 CEMENTING: PORTLAND CEMENT
 TESTING ACC. TO IEC 60168,
 MECHANICAL ROUTINE TEST BENDING 4x50%,
 EACH UNIT SEPARATELY (UNIT TURNED BY 90°)
 APPROXIMATE WEIGHT 342 kg

8	5	WASHER		Ø17	STEEL. GALV.	
8	4	HEXAG.NUT		M16	STEEL. GALV.	
8	3	HEXAG.BOLT		M16x50	STEEL. GALV.	
1	2	INSULATOR UNIT	9873 0 M			194
1	1	INSULATOR UNIT	9872 0 M			148
pcs	Pos.	Title	Drawing, standard	Dimension	Material	Weight
Scale (%)	Drawn	Checked	Dat.	Ref.		
	ĐURÁK	JANEČEK	16.02.2018			
OUTDOOR POST INSULATOR C12.5 - 1550 - II					 PPC INSULATORS 5597 0 M 01	
					Drwg.no.	Rev.

This document must not be copied without our written permission, and the contents thereof must not be imparted to a third party nor be used for any unauthorized purpose. Contravention will be prosecuted.