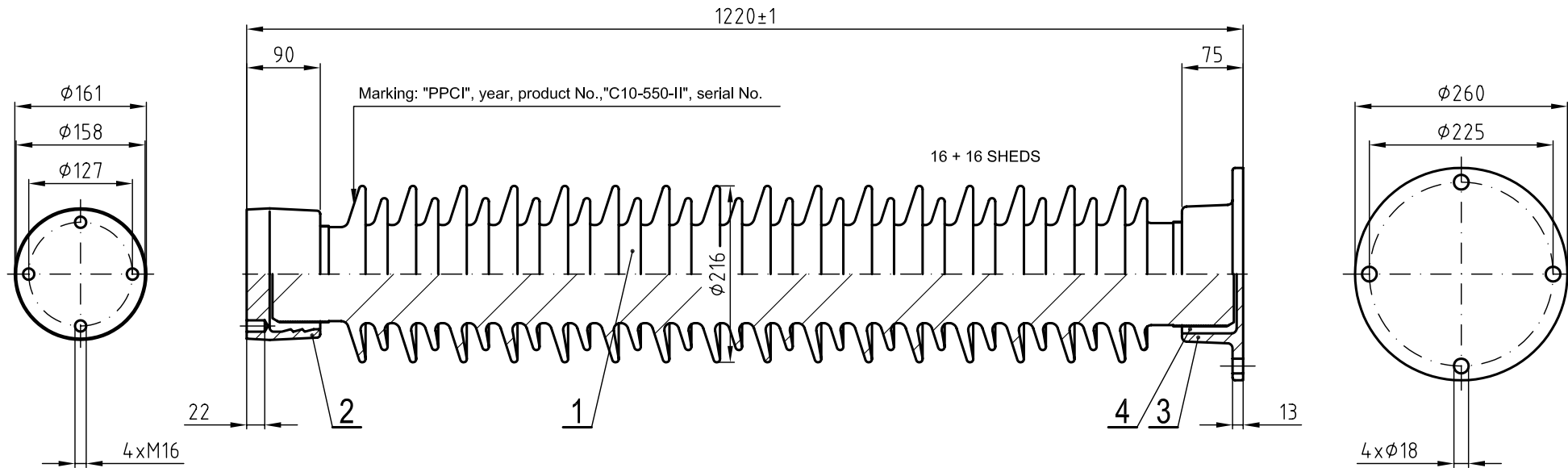
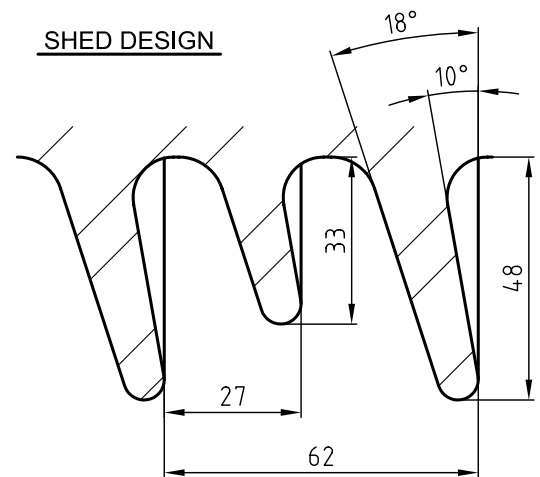



This document must not be copied without our written permission, and the contents thereof must not be imparted to a third party nor be used for any unauthorized purpose. Contravention will be prosecuted.



SHED DESIGN



STANDARDS - IEC 60273, 60168, 60672, 60815
 LIGHTNING IMPULSE WITHSTAND VOLTAGE 550 kV
 POWER-FREQUENCY WITHSTAND VOLTAGE, WET 230 kV
 CREEPAGE DISTANCE - NOMINAL 3240 mm
 - MINIMUM 3150 mm
 MINIMUM FAILING LOAD - BENDING 10 kN
 - TORSION 6 kNm
 MAX. ANGULAR DEVIATION OF FIXING HOLES 1 °
 FIXING DEVICE MATERIAL: CAST IRON,
 HOT DIP GALVANIZED
 TESTING ACC. TO IEC 60168, 60273
 MECHANICAL ROUTINE TEST BENDING 4x50%
 APPROXIMATE WEIGHT 67 kg

	4	CEMENTING			PORTLAND CEMENT	1.1	
	1	3	FLANGE	F-225-010-111		7.0	
	1	2	CAP	K-127-122-111		4.2	
	1	1	PORCELAIN	4314 0 P	C-130 IEC 60672	54	
pcs	Pos.	Title		Drawing, standard	Dimension	Material	Weight
Scale (%)		Drawn	Checked	Date	Ref.		
		ĐURÁK	JANEČEK	07.04.2015	K088615 0		
OUTDOOR POST INSULATOR C10 - 550 - II						 PPC INSULATORS 4314 0 M 02 Drwg.no. Rev.	