



VOLTAGE TRANSFORMERS

OUTDOOR DRY TYPE SINGLE PHASE CAST RESIN INSULATED VOLTAGE TRANSFORMERS (Um=3.6kV.....36kV)

Types: VTH 20
VTH 30



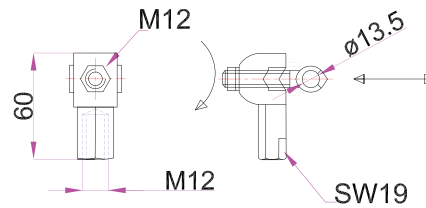
Clamp type terminal
for high voltage connection.



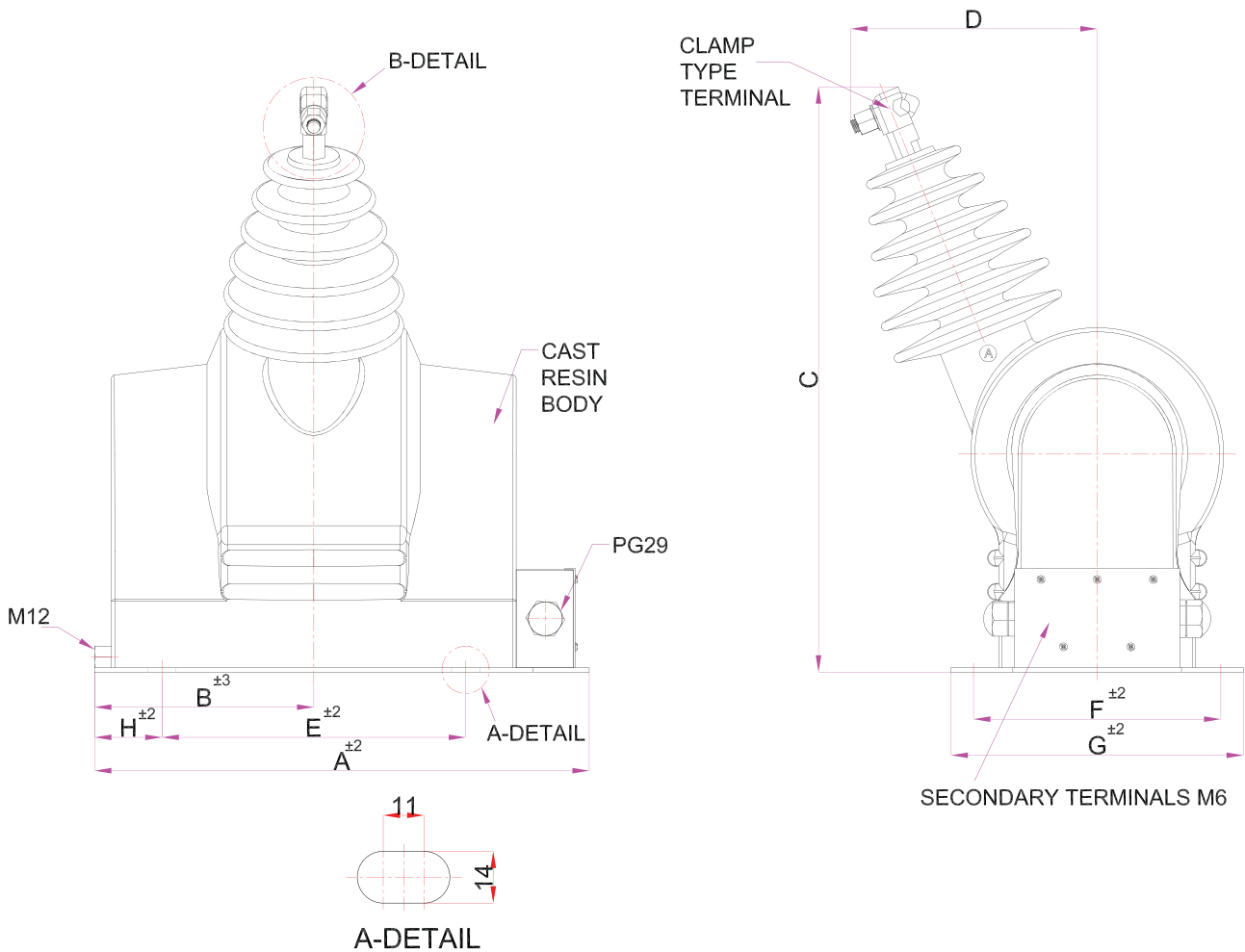
Technical Data ▾

TYPES ▾	VTH 20 ▾					VTH 30 ▾
Operating voltage, Um (kV)	3.6	7.2	12	17.5	24	36
Rated power-frequency withstand voltage (1 minute) (kV)	10	20	28	38	50	70
Rated impulse test voltage (1.2/50 μs) full wave (kV)	40	60	75	95	125	170
Rated frequency (Hz)	50-60					
Rated primary voltage (max.) (kV)	24/√3					36/√3
Secondary voltage (V)	100/√3	110/√3	120/√3 & suitable for 220V winding.			
Rated burden (max.) in class 0.2 (VA)	40					50
Rated burden (max.) in class 0.5 (VA)	120					150
Rated burden (max.) in class 1 (VA)	250					250
Rated burden for protection purpose in class 3P (VA)	100					
Rated burden for 220V winding (VA)	800					
Rated voltage factor (30sec. or 8h) (Un)	1.9					
Short time load (mechanical) (N)	3750					
Insulation Class	E					
Min. creepage distance (mm)	820					1220
Altitude (m)	According to the customer requirements					
Standard	According to the customer requirements					
Weight (approx.) (kg)	50					65

OUTDOOR DRY TYPE SINGLE PHASE CAST RESIN INSULATED
VOLTAGE TRANSFORMERS
TECHNICAL DRAWING
(Um=3,6kV.....36kV)



B-DETAIL CLAMP TYPE TERMINAL



TYPES	A	B	C	D	E	F	G	H	TIGHTENING TORQUE (Nm)	min.	max.
VTH 20	440	195	max. 535	max. 235	270	220	260	60	M6 (Secondary Terminal)	3	5
VTH 30	450	200	max. 625	max. 295	270	190	220	70	M12 (Primary&Ground Terminal)	60	70

- All dimensions are in mm.
- Esitas reserves the right to change the specifications and the dimensions of the goods. Please ask for updated information.
- Customer designed products are also available.



VOLTAGE TRANSFORMERS

OUTDOOR DRY TYPE SINGLE PHASE CAST RESIN INSULATED VOLTAGE TRANSFORMERS (Um=3.6kV.....36kV)

Types: UTH 20-N
UTH 30-N



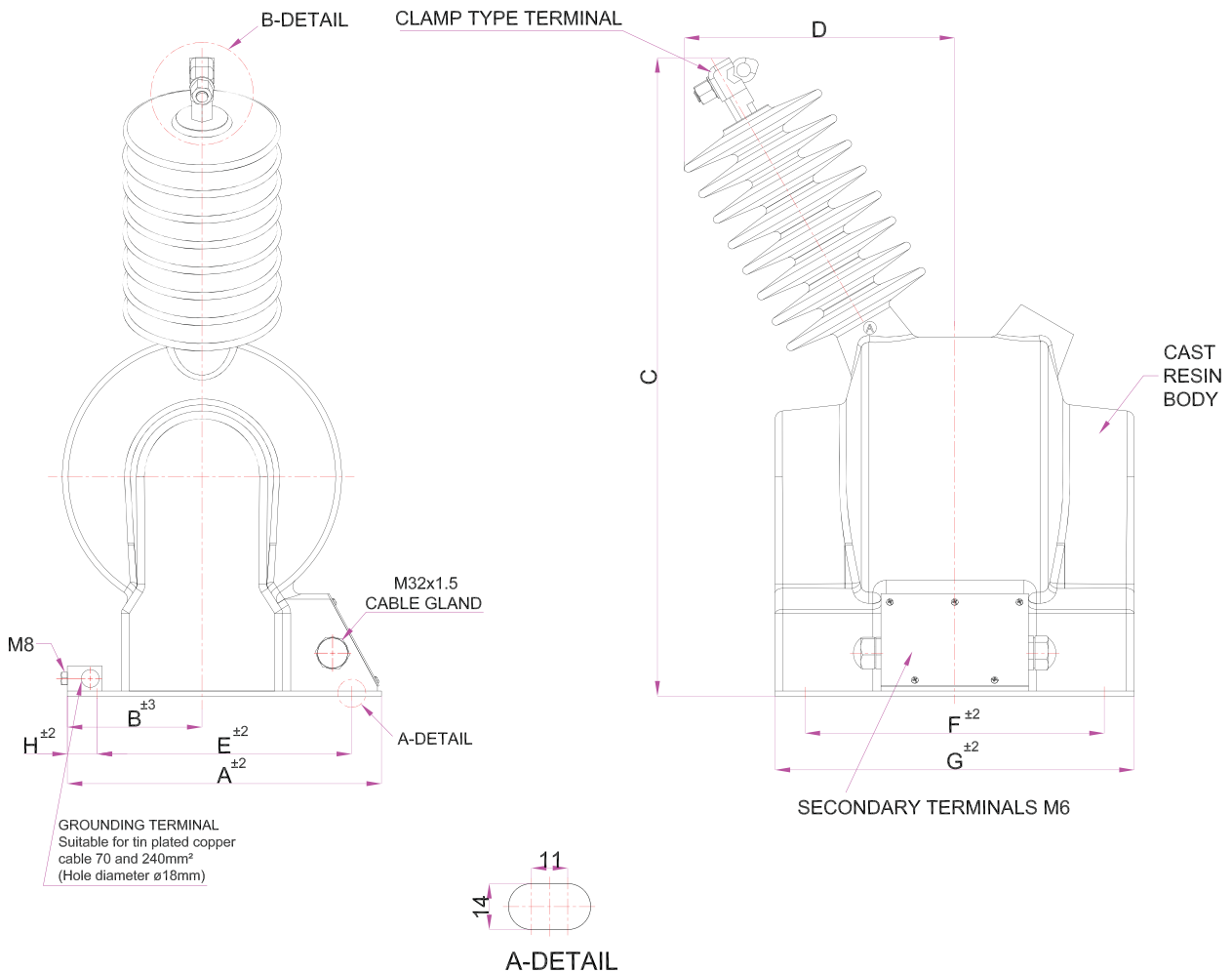
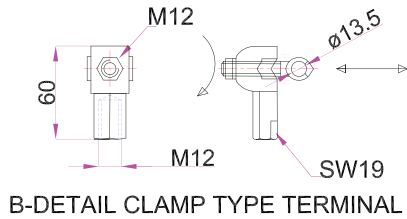
Clamp type terminal
for high voltage connection.



Technical Data ▾

TYPES ▾	UTH 20-N ▾					UTH 30-N ▾
Operating voltage, Um (kV)	3.6	7.2	12	17.5	24	36
Rated power-frequency withstand voltage (1 minute) (kV)	10	20	28	38	50	70
Rated impulse test voltage (1.2/50 μs) full wave (kV)	40	60	75	95	125	170
Rated frequency (Hz)	50-60					
Rated primary voltage (max.) (kV)	24/√3			36/√3		
Secondary voltage (V)	100/√3	110/√3	120/√3 & suitable for 220V winding.			
Rated burden (max.) in class 0.2 (VA)	40					50
Rated burden (max.) in class 0.5 (VA)	120					150
Rated burden (max.) in class 1 (VA)	250					250
Rated burden for protection purpose in class 3P (VA)	100					
Rated burden for 220V winding (VA)	800					
Rated voltage factor (30sec. or 8h) (Un)	1.9					
Short time load (mechanical) (N)	3750					
Insulation Class	E					
Min. creepage distance (mm)	820			1220		
Altitude (m)	According to the customer requirements					
Standard	According to the customer requirements					
Weight (approx.) (kg)	50			65		

OUTDOOR DRY TYPE SINGLE PHASE CAST RESIN INSULATED
VOLTAGE TRANSFORMERS
TECHNICAL DRAWING
(Um=3,6kV.....36kV)



TYPES	A	B	C	D	E	F	G	H
VTH 20-N	320	130	max. 585	max. 255	255	300	360	20
VTH 30-N	315	135	max. 660	max. 275	255	300	360	30

TIGHTENING TORQUE (Nm)	min.	max.
M6 (Secondary Terminal)	3	5

- All dimensions are in mm.
- Esitas reserves the right to change the specifications and the dimensions of the goods. Please ask for updated information.
- Customer designed products are also available.



VOLTAGE TRANSFORMERS

OUTDOOR DRY TYPE PHASE TO PHASE CAST RESIN INSULATED
VOLTAGE TRANSFORMERS
(Um=3.6kV.....36kV)

Types: 2VTH 20
2VTH 30



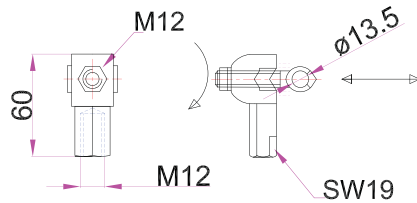
Clamp type terminal
for high voltage connection



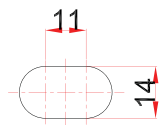
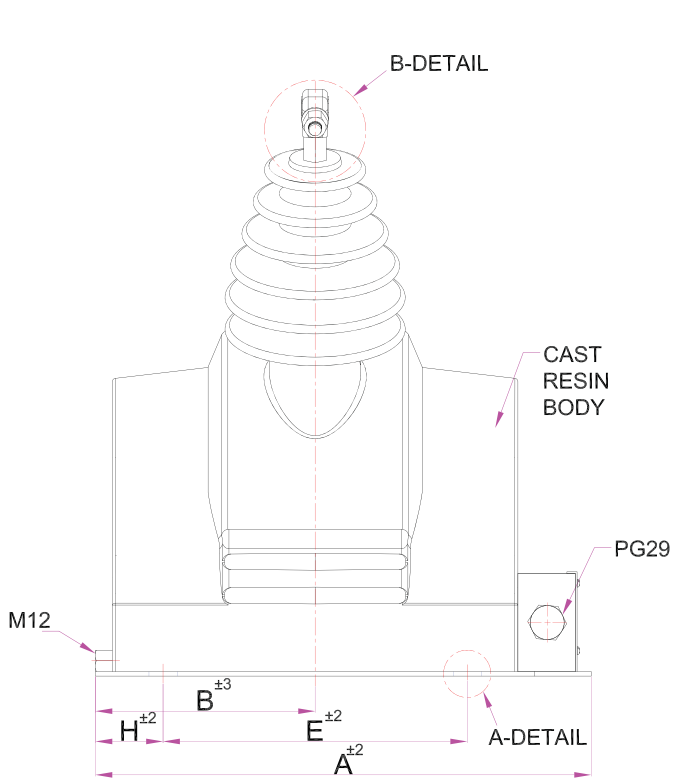
Technical Data ▼

TYPES ▼	2VTH 20 ▼	2VTH 30 ▼
Operating voltage. Um (kV)	3.6 7.2 12 17.5 24	36
Rated power-frequency withstand voltage (1 minute) (kV)	10 20 28 38 50	70
Rated impulse test voltage (1.2/50 μs) full wave (kV)	40 60 75 95 125	170
Rated frequency (Hz)	50-60	
Rated primary voltage (max.) (kV)	24	36
Secondary voltage (V)	100, 110, 120 & suitable for 220V winding.	
Rated burden (max.) in class 0.2 (VA)	30	40
Rated burden (max.) in class 0.5 (VA)	100	120
Rated burden (max.) in class 1 (VA)	200	200
Rated burden for 220V winding (VA)	800	
Rated voltage factor (Cont.) (Un)	1.2	
Short timeload (mechanical) (N)	3750	
Min. creepage distance (mm)	820	1220
Altitude (m)	According to the customer requirements	
Standard	According to the customer requirements	
Weight (approx.) (kg)	60	70

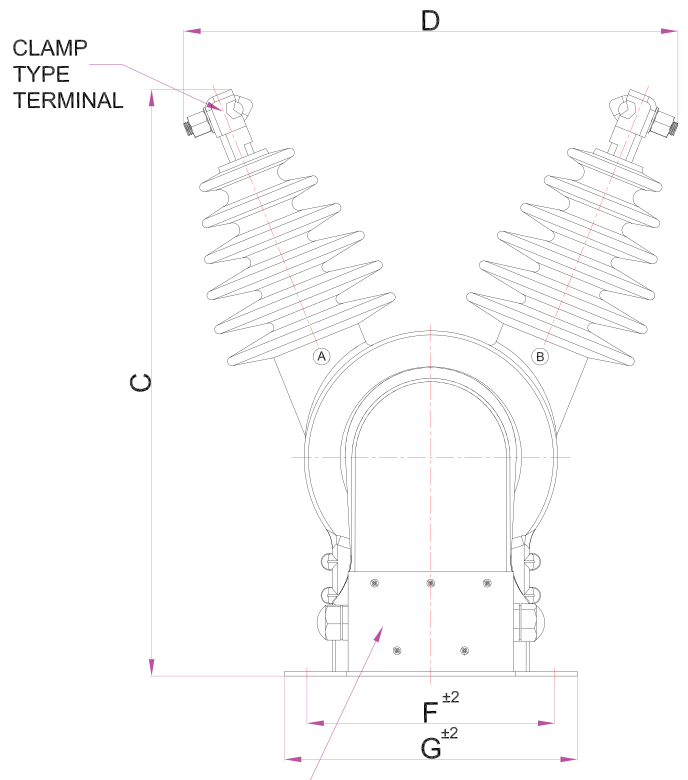
OUTDOOR DRY TYPE PHASE TO PHASE CAST RESIN INSULATED
VOLTAGE TRANSFORMERS TECHNICAL DRAWING
(Um=3.6kV.....36kV)



B-DETAIL CLAMP TYPE TERMINAL



A-DETAIL



SECONDARY TERMINALS M6

TYPES ▼	A	B	C	D	E	F	G	H	TIGHTENING TORQUE (Nm) ▼	min.	max.
2VTH 20	440	195	max. 535	max. 460	270	220	260	60	M6 (Secondary Terminal)	3	5
2VTH 30	450	200	max. 625	max. 580	270	190	220	70	M12 (Primary and Ground Terminal)	60	70

- All dimensions are in mm.
- Esitas reserves the right to change the specifications and the dimensions of the goods. Please ask for updated information.
- Customer designed products are also available.



VOLTAGE TRANSFORMERS

OUTDOOR DRY TYPE SINGLE PHASE CAST RESIN INSULATED VOLTAGE TRANSFORMERS (Um=3.6kV.....36kV)

Types: 2VTH 20-N
2VTH 30-N



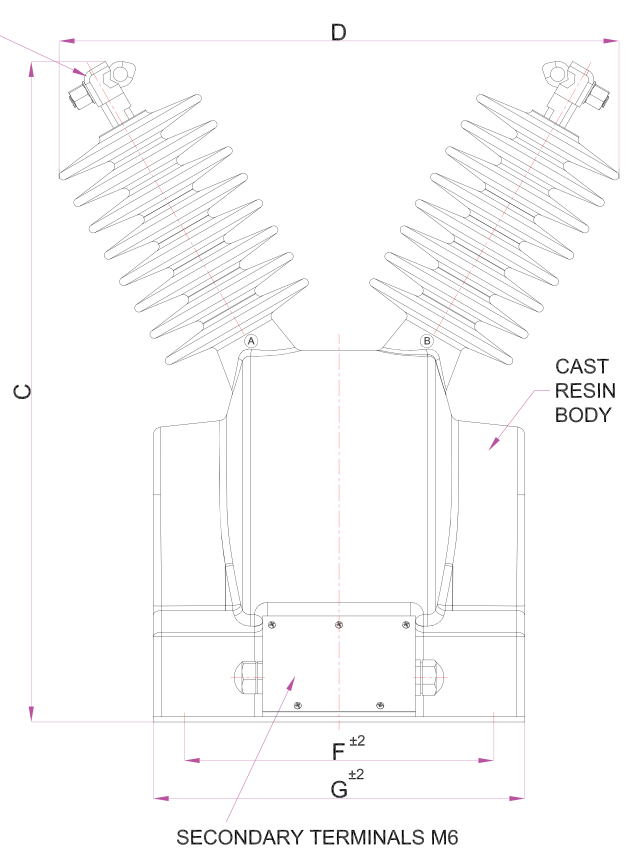
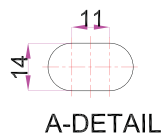
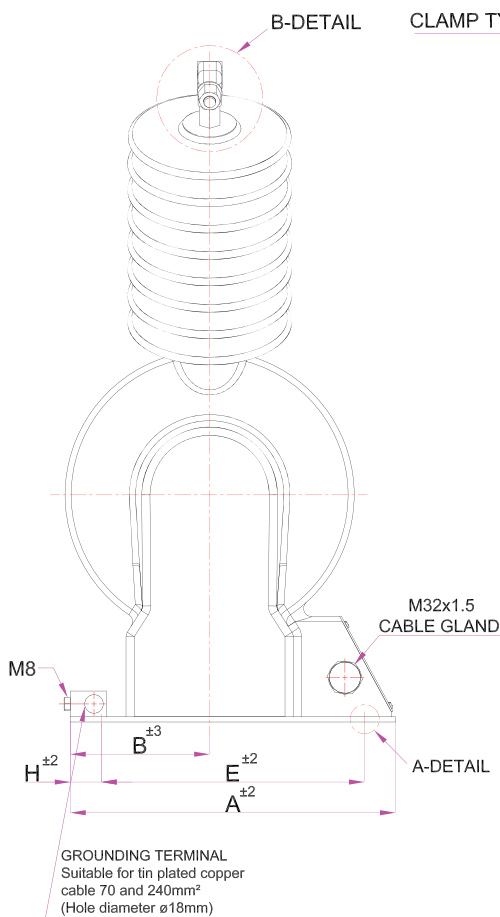
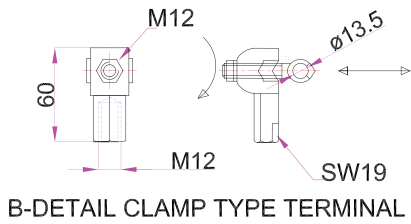
Clamp type terminal
for high voltage connection.



Technical Data ▼

TYPES ▼	2VTH 20-N ▼					2VTH 30-N ▼
Operating voltage. Um (kV)	3.6	7.2	12	17.5	24	36
Rated power-frequency withstand voltage (1 minute) (kV)	10	20	28	38	50	70
Rated impulse test voltage (1.2/50 μs) full wave (kV)	40	60	75	95	125	170
Rated frequency (Hz)	50-60					
Rated primary voltage (max.) (kV)	24					36
Secondary voltage (V)	100, 110, 120 & suitable for 220V winding					
Rated burden (max.) in class 0.2 (VA)	30					40
Rated burden (max.) in class 0.5 (VA)	100					120
Rated burden (max.) in class 1 (VA)	200					200
Rated burden for 220V winding (VA)	800					
Rated voltage factor (Cont.) (Un)	1.2					
Short time load (mechanical) (N)	3750					
Insulation Class	E					
Min. creepage distance (mm)	820					1220
Altitude (m)	According to the customer requirements					
Standard	According to the customer requirements					
Weight (approx.) (kg)	60					70

OUTDOOR DRY TYPE SINGLE PHASE CAST RESIN INSULATED
VOLTAGE TRANSFORMERS
TECHNICAL DRAWING
(Um=3,6kV.....36kV)



TYPES ▼	A	B	C	D	E	F	G	H
2VTH 20-N	320	130	max. 585	max. 510	255	300	360	20
2VTH 30-N	315	135	max. 660	max. 550	255	300	360	30

TIGHTENING TORQUE (Nm) ▼	min.	max.
M6 (Secondary Terminal)	3	5

- All dimensions are in mm.
- Esitas reserves the right to change the specifications and the dimensions of the goods. Please ask for updated information.
- Customer designed products are also available.